

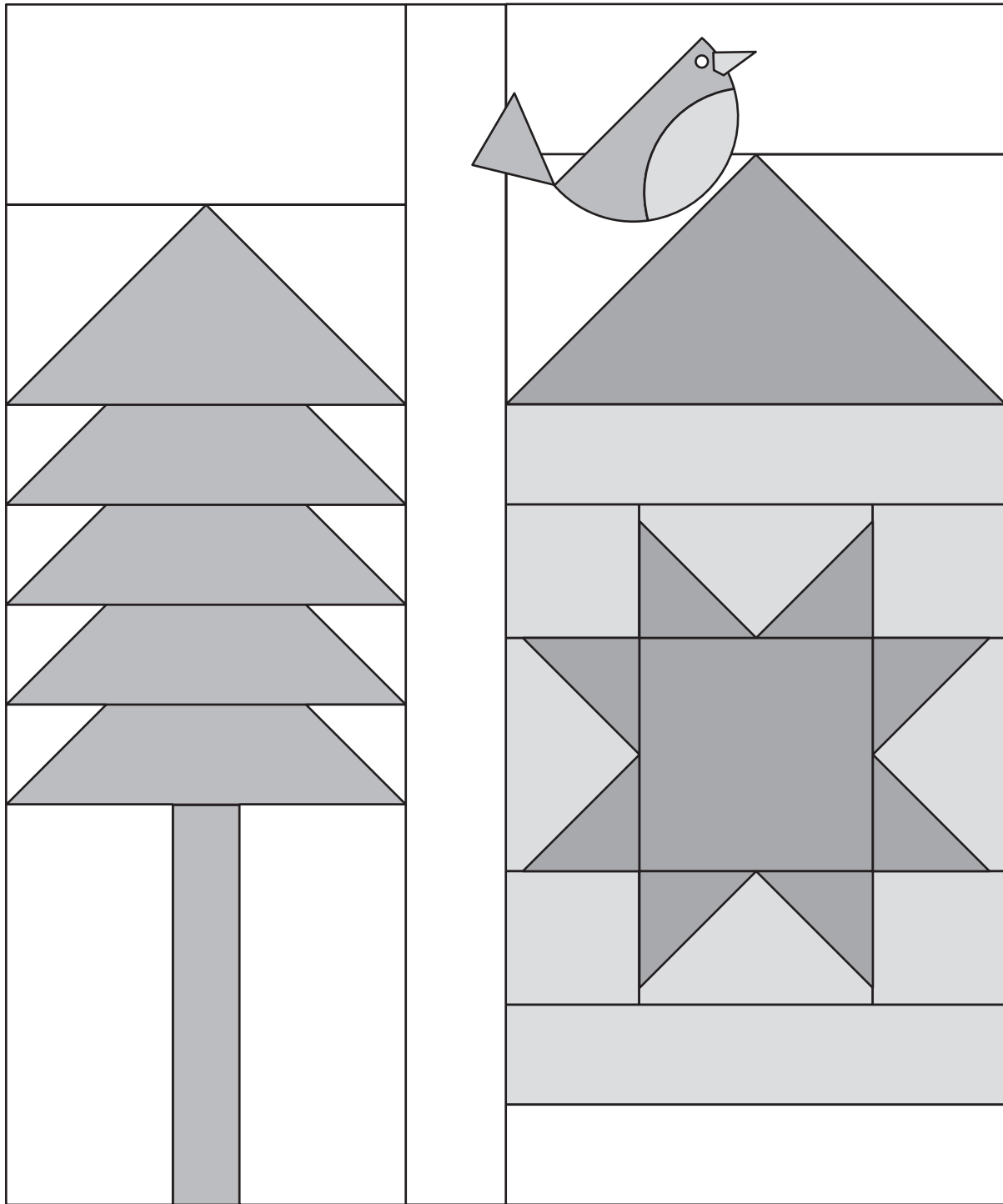


moda

Be My Neighbor

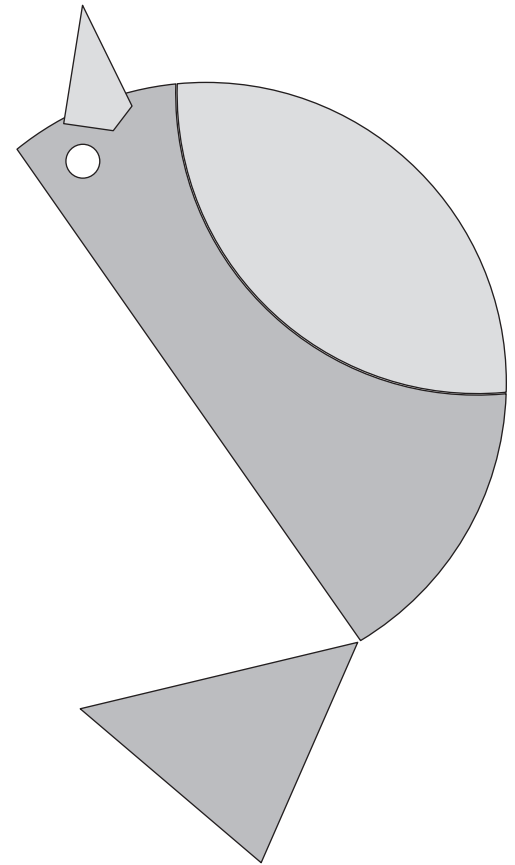
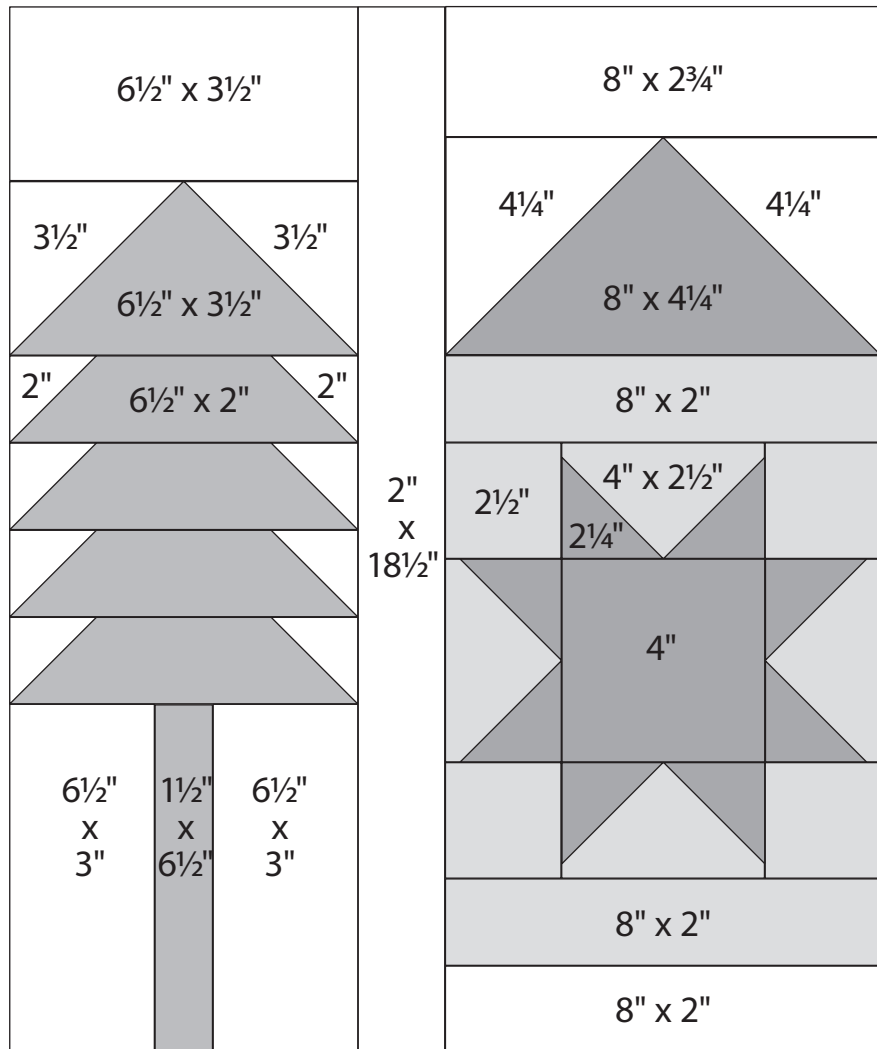
Block 10

15" x 18" finished



General Information

- These are very scrappy blocks. Mix your favorite Moda prints to create your colorful neighborhood!
- Share your progress and final quilt at #BeMyNeighbor. We love to see your results!!!



Bird Appliqué
Actual size.
Seam allowances not included.
Not reversed.

Block 10
15 1/2" x 18 1/2" unfinished

Cutting

Tree

1-6 1/2" x 3 1/2" rectangle
4-6 1/2" x 2" rectangles

Tree Trunk

1-1 1/2" x 6 1/2" rectangle

Star

1-4" square
8-2 1/4" squares

House Roof

1-8" x 4 1/4" rectangle

House

2-8" x 2" rectangles
4-4" x 2 1/2" rectangles
4-2 1/2" squares

Bird Appliqué

1-beak
1-body
1-tail
1-wing
1-eye

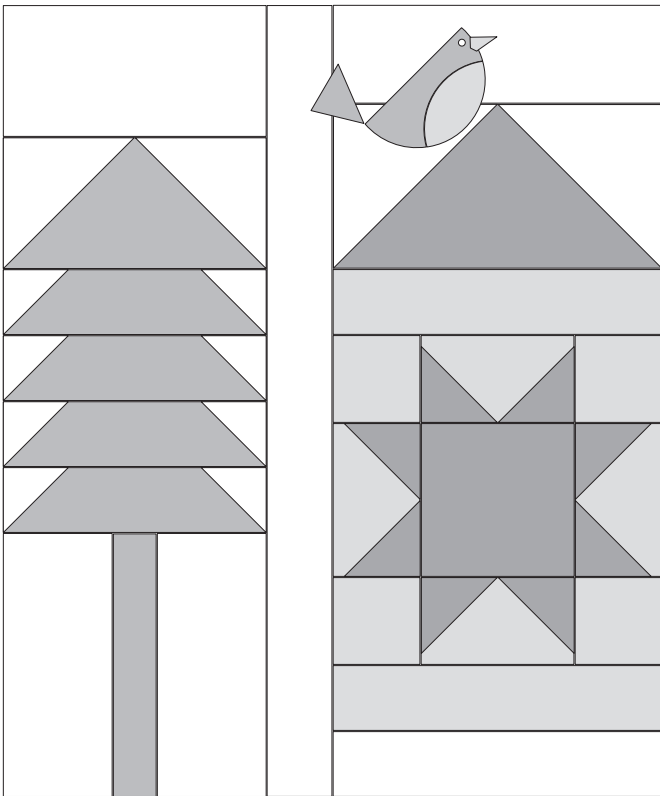
Background

1-8" x 2 3/4" rectangle
1-8" x 2" rectangle
1-6 1/2" x 3 1/2" rectangle
2-4 1/4" squares
2-3 1/2" squares
2-3" x 6 1/2" rectangles
1-2" x 18 1/2" rectangle
8-2 squares



Be My Neighbor

Block 10 is 15" x 18" finished.

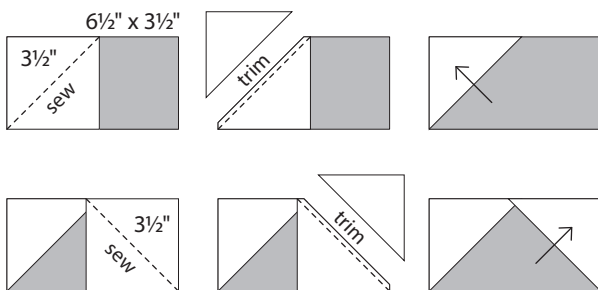


Construction

Use $\frac{1}{4}$ " seams. Press in the direction of the arrows in the diagrams.

1 Tree

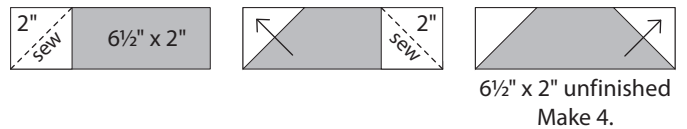
- (A) Draw a diagonal line from corner to corner on the wrong side of 2- $\frac{3}{2}$ " background squares. Layer a 3- $\frac{1}{2}$ " marked background square, right sides to together, on 1-6- $\frac{1}{2}$ " x 3- $\frac{1}{2}$ " tree rectangle as shown. Sew on the diagonal line. Trim $\frac{1}{4}$ " from the sewn line. Press to reveal the triangle. Repeat on the opposite end of the same rectangle. Make 1.



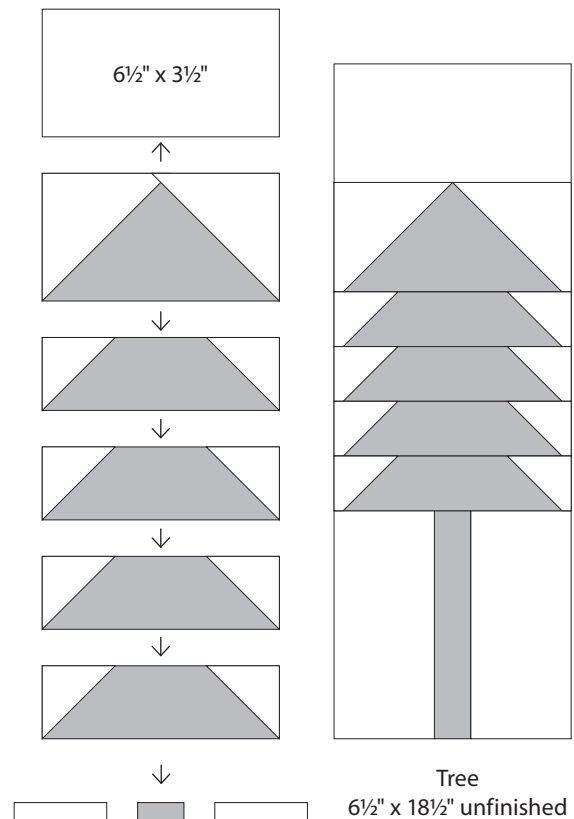
Tree Top
6- $\frac{1}{2}$ " x 3- $\frac{1}{2}$ " unfinished

tree continued . . .

- (B) Draw a diagonal line from corner to corner on the wrong side of 8-2" background squares. Layer a 2" marked background square, right sides to together, on both ends of a 1-6- $\frac{1}{2}$ " x 2" tree rectangle as shown. Sew on the diagonal lines. Trim $\frac{1}{4}$ " from the sewn lines. Press to reveal the triangles. Make 4.



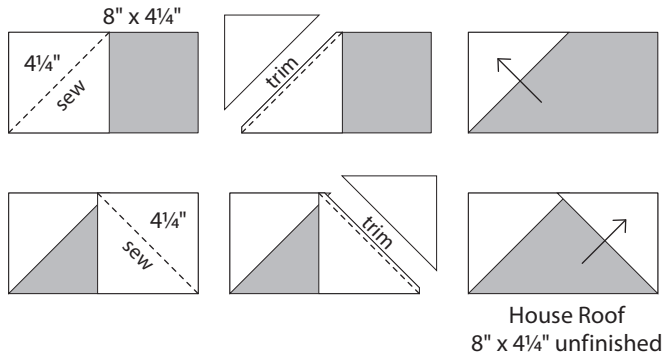
- (C) Assemble the tree as shown.



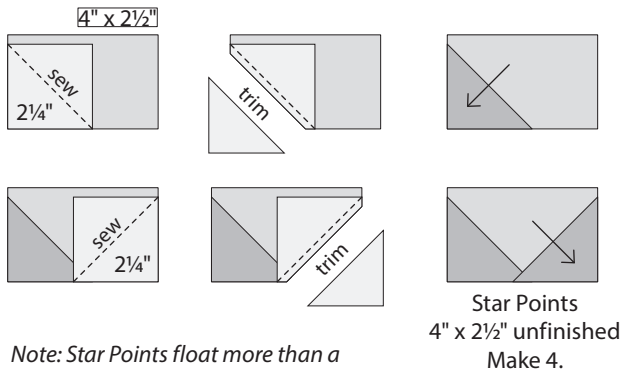
moda

2 House

(A) Draw a diagonal line from corner to corner on the wrong side of 2-4 1/4" background squares. Layer a 4 1/4" marked background square, right sides to together, on 1-8" x 4 1/4" roof rectangle as shown. Sew on the diagonal line. Trim 1/4" from the sewn line. Press to reveal the triangle. Repeat on the opposite end of the same rectangle. Make 1.

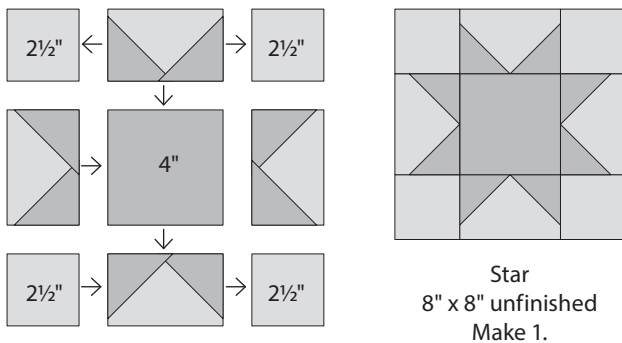


(B) Draw a diagonal line from corner to corner on the wrong side of 8-2 1/4" star point squares. Layer 2 1/4" marked star point square, right sides to together, on 1-4" x 2 1/2" house rectangle as shown. Sew on the diagonal line. Trim 1/4" from the sewn line. Press to reveal the triangle. Repeat on the opposite end of the same rectangle. Make 4 star points.



Note: Star Points float more than a 1/4" from the edges.

(C) Assemble the star as shown.



3 Assemble the block as shown. Use fusible web and a zig zag or blanket stitch to add the bird to the completed house block.

